

### Surface Box

Order no.	Version	Weight kg	
1755	rigid	16,0	●
2055	telescopic	21,0	●

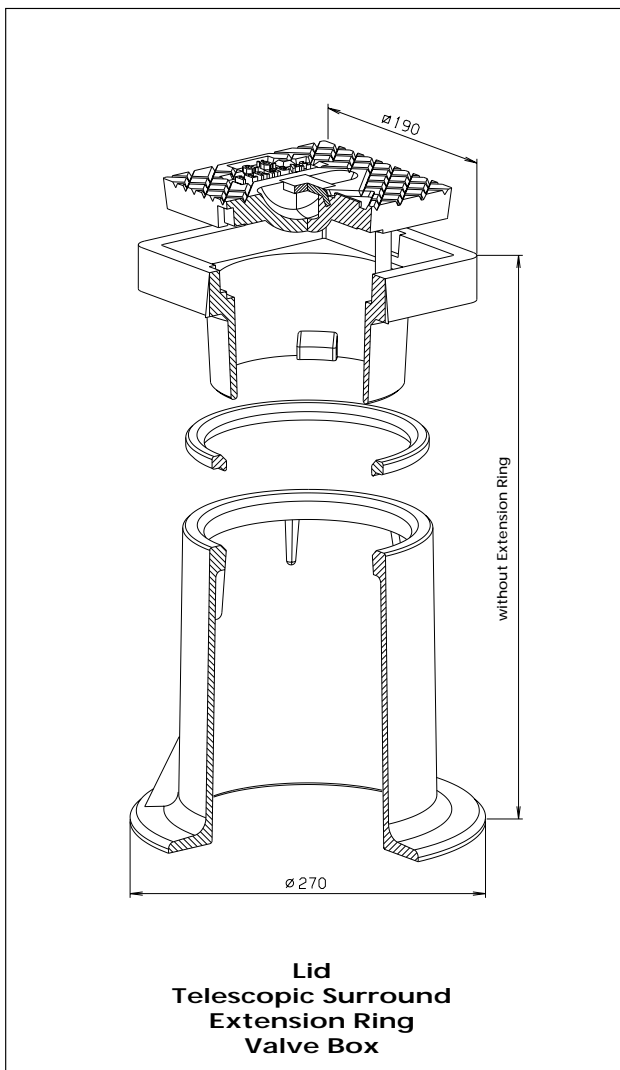
### Extension Ring for Surface Box adjustable

Order no.	Height mm	Weight kg	
2045	10	0,9	●
	20	1,2	●
	30	1,6	●
	50	2,7	●

### Surface Box adjustable

Height adjustable with conical-seating extension rings  
square lid

grey iron - EN 1561, bitumen coated



### Surface Box non-adjustable

square lid

grey iron - EN 1561, bitumen coated

