

Low Frequency Pulse Transmitter

Type IN-Z61 - IN-Z65

Retrofittable pulse transmission from a mechanical index

Working principle

A pulse magnet in the first moving drum of the index type Z3/Z6 activates a reed switch in the pulse transmitter.

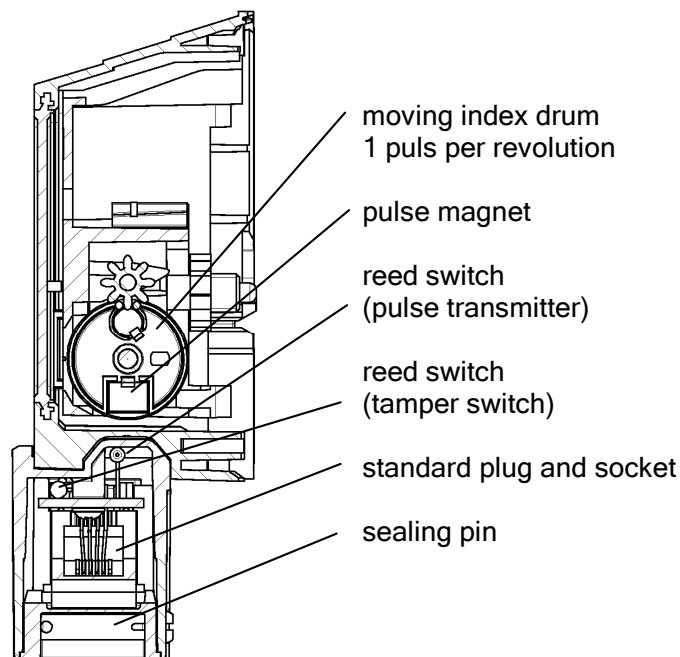
A second reed switch allows the detection of magnetic tampering and interruption of the cable connection. (Not for IN-Z62)

The pulse transmitter can be connected via a sealable standard plug and socket system.

Diaphragm gas meters BK-G1,6 to BK-G100 are equipped with the index Z3/Z6 and pulse magnet and can be retrofitted anytime without breaking the government's seal.

Diaphragm gas meters BK-G40 to BK-G100 are equipped with the IN-Z61 serial.

The pulse transmitter is fixed to the index at a separate sealing point.



Diaphragm gas meter with IN-Z61

Technical Data

Lifetime:	min 2×10^7 (Operations of the totalizing switch)
Voltage:	$U_{\max} = 24 \text{ V DC}$
Current:	$I_{\max} = 50 \text{ mA}$
Power:	$P_{\max} = 0,25 \text{ W}$
Closing time:	$t_{\min} = 0,25 \text{ s}$
Resistance:	$R_{\max} = 0,5 \Omega$ (closed)

Low Frequency Pulse Transmitter

IN-Z61 - IN-Z65



Ordering includes:

Pulse transmitter IN-Z61/62/63/64/65

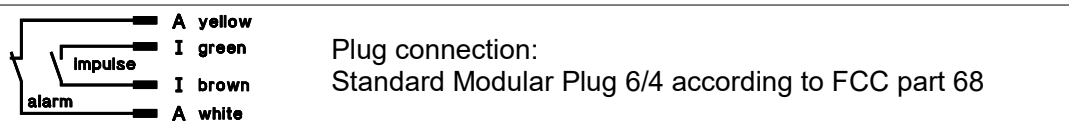
Rivet

Lead seal for fixing to the index

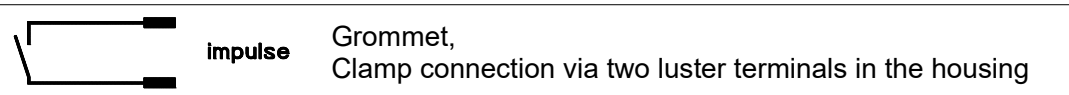
Sealing pin for cable connection

Contacts of the pulse transmitter

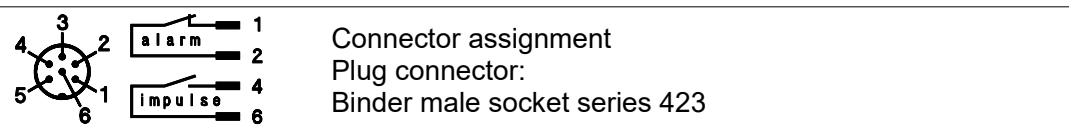
IN-Z31
IN-Z61



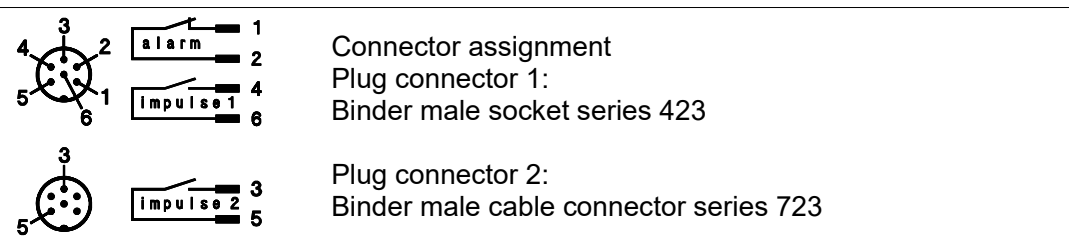
IN-Z62



IN-Z63



IN-Z64



IN-Z65



A: Alarm contact, reed switch (normally closed)
I: Totalizing contact, reed switch (normally open)